

MACH 4 CART

MEMORY UNDERPINNER



- AIR Operated
- Self Regulating Pressure
- Very Large Stroke
- High Speed Joining

Type of wedges

The MACH 4 CART works only with Cassese cartridge wedges.



Designed for

- Bespoke Framer
- Retail Framer
- Medium Contract Framer
- Volume Contract Framer



Air supply

6 bars
2 NI / cycle



Electric supply

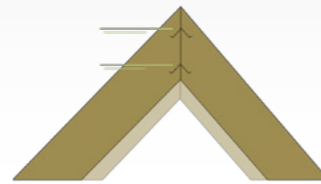
110 / 230 V single phase
50 / 60 Hz - 0,5 Kw

- Automatic or Manual
- 9 wedge positions
- 9 wedges per position
- 3000 profiles' memory
- Network & Barcode Ready

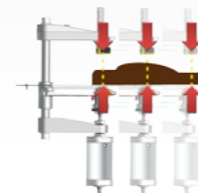


Joining features

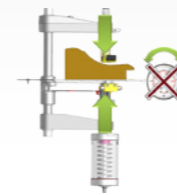
The Smart Wedge Drive System™ : Exclusively from Cassese



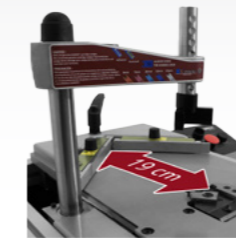
High Speed Joining = 3360 cycles / hour
(with 2 positions per corner)



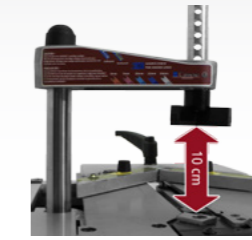
Auto-Alignment :
No need to adjust top clamp placement



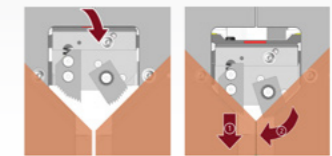
Self-Adjusting Pressure :
No need to adjust air pressure between Hardwood and Softwood



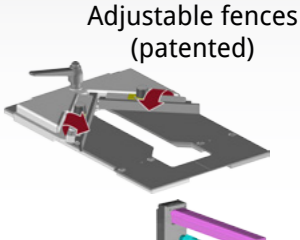
19cm (7 1/2")
stroke



10cm (4")
High mouldings



Retractable and very powerful Ultra™ clamps (patented)



Adjustable fences (patented)

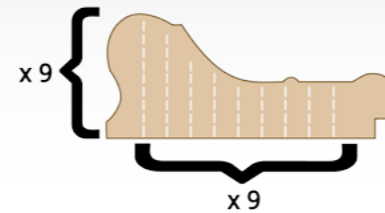
Pneumatic loading of wedges

Software features



User-friendly touchscreen

Quick and easy joining set up



9 wedge positions + 9 wedges per position



3000 Profile's memory



2 Joining modes : **Automatic** or **Manual**

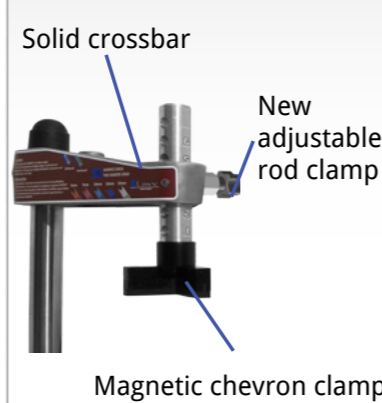
Wedge Reloading Sensor



Network & Barcode ready
(Compatible with CS486, CS3099 & CS4008 joining files)



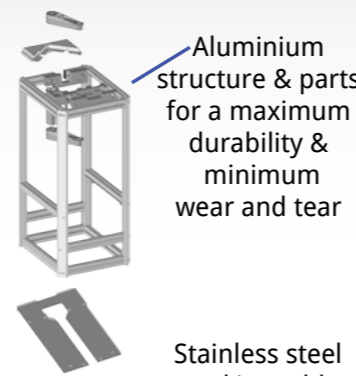
Mechanical features



Solid crossbar

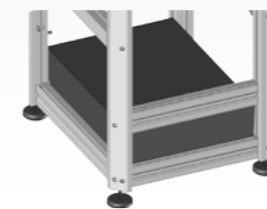
New adjustable rod clamp

Magnetic chevron clamp



Aluminium structure & parts for a maximum durability & minimum wear and tear

Stainless steel working table



Concrete reinforced structure to absorb vibrations

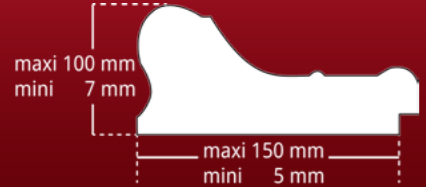


Quick and easy access to electrical and pneumatic parts

Cassese cartridge wedges are...

- Even stronger (thanks to Power Strip™)
- Lubricated = easy stacking
- Color coded = easy size identification
- Glue free = no jammings
- 100% wedges used - Economical
- Eco-friendly (recyclable plastic)
- Cassese pre-lubricated cartridge wedges provide constant lubrication of wedge distribution block. Unique to Cassese

Mouldings



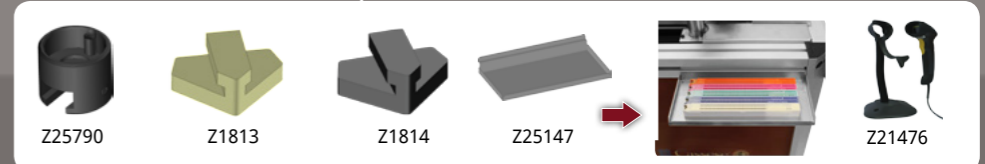
Dimensions

- Length: 612 mm
- Width: 690 mm
- Height: 1171 mm
- Weight: 97 kg

Included accessories



Optional accessories



800.513.9918 | LINCsystems.com

